

TAGU

the missing piece

POWERFLAME ELECTRIC FIREPLACE
23PF1A, 23PF1B, 23PF1C, 23PF1D

USER MANUAL



**BG HR CS DA NL EN ET FI FR DE EL HU GA
IT LV LT MT NO PL PT RO RU SK SL ES SV**



**Ecodesign
Compliant**

www.tagu.eu

REV.18.02.2018

IMPORTANT: These instructions should be read carefully and retained for future use.

1. Connect to properly grounded outlets only. This heater is for use on 220-240 volts. Never use with a regular extension cord or relocatable power tap (outlet/power strip).
2. If the appliance is damaged, check with the supplier before installation and operation.
3. Do not use outdoors.
4. Do not use in the immediate surroundings of a bath, shower or swimming pool.
5. Do not locate the appliance immediately below a fixed socket outlet or connection box.
6. This appliance can be used by children aged from 8 years and above and persons with reduced physical, sensory or mental capabilities or lack of experience and knowledge if they have been given supervision or instruction concerning use of the appliance in a safe way and understand the hazards involved. Children shall not play with the appliance. Cleaning and user maintenance shall not be made by children without supervision.
7. Children of less than 3 years should be kept away unless continuously supervised. Children aged from 3 years and less than 8 years shall only switch on/off the appliance provided that it has been placed or installed in its intended normal operating position and they have been given supervision or instruction concerning use of the appliance in a safe way and understanding the hazards involved.
8. Children aged from 3 years and less than 8 years shall not plug in, regulate and clean the appliance or perform user maintenance.
9. Do not use this appliance in series with an external thermal control, a program controller, a timer or any other device that switches on the heat automatically, since a fire risk exists when the appliance is accidentally covered or displaced.
10. Ensure that furniture, curtains or other combustible material are positioned no closer than 1 metre from the appliance.
11. In the event of a fault unplug the appliance.
12. Unplug the appliance when not required for long periods.
13. Although this appliance complies with safety standards, we do not recommend its use on deep pile carpets or on long hair type of rugs.
14. The appliance must be positioned so that the plug is accessible.
15. If the supply cord is damaged it must be replaced by the manufacturer or service agent or a similarly qualified person in order to avoid a hazard.
16. Keep the supply cord away from the front of the appliance.
17. Make sure the distance between the back of the heater and wall is minimum 30mm.

WARNING: In order to avoid overheating, do not cover the heater. Do not place material or garments on the heater, or obstruct the air circulation around the heater, for instance by curtains or furniture, as this could cause overheating and a fire risk.

WARNING: Servicing and product repairs should only be undertaken by the manufacturer's approved service agent or a similarly qualified person, using only exact manufacturer approved spare parts.

CAUTION: Some parts of this product can become very hot and cause burns. Particular attention has to be given where children and vulnerable people are present.

IMPORTANT: Don't throw the box away, you may need it to send the product back for warranty purposes. You can flatten and store the box or convert and reuse it. Let's save the environment together!

CONVERT AND REUSE THE BOX

We designed the box so you can keep it and reuse it for home storage. It takes only 5 minutes to convert this box into an elegant storage solution. By doing this, you will reuse and save the box in case you need it later for warranty purposes.

Check out our video tutorial by following the link or scanning the QR code

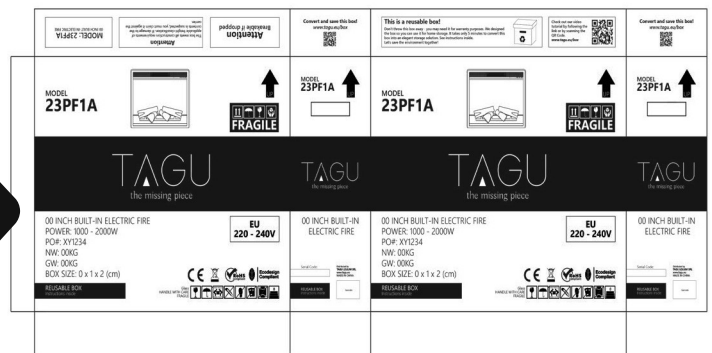
www.tagu.eu/box



OR

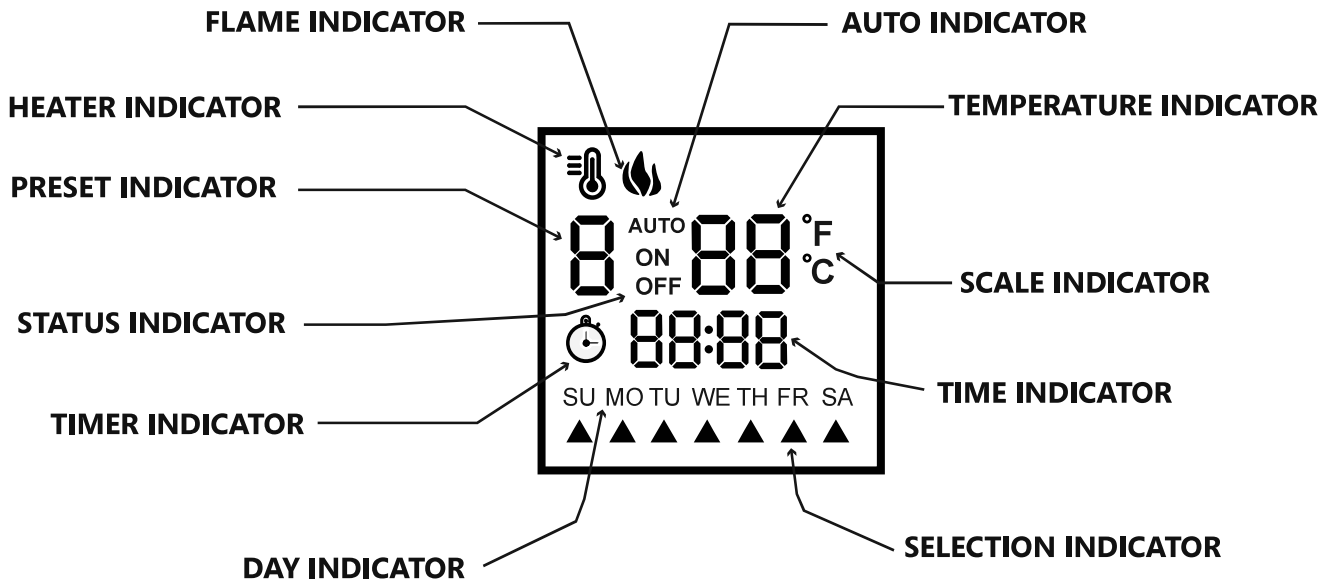
FLATTEN AND STORE THE BOX

If you don't want to reuse the box you can flatten it to save space during storing. Remove tape, open the top and bottom, flatten the box and store it in a safe place.



The LED display allows you to view heat settings and functions easily. When a function is changed from the control panel or remote there will be a corresponding indicator displayed.

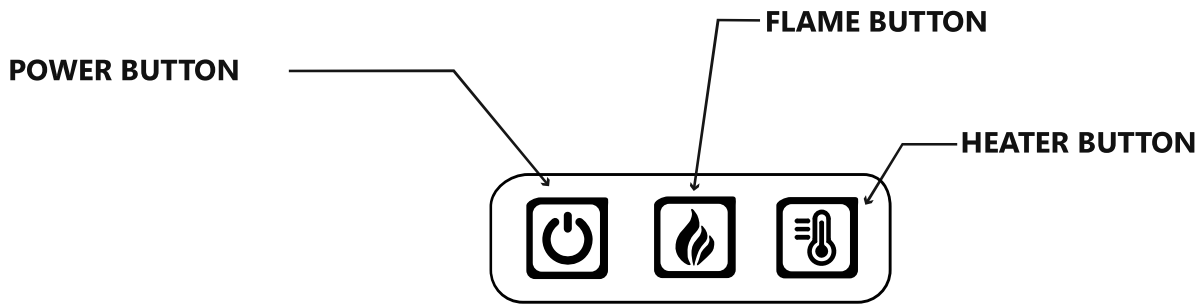
NOTE: The display will automatically turn off after 60 seconds idle.



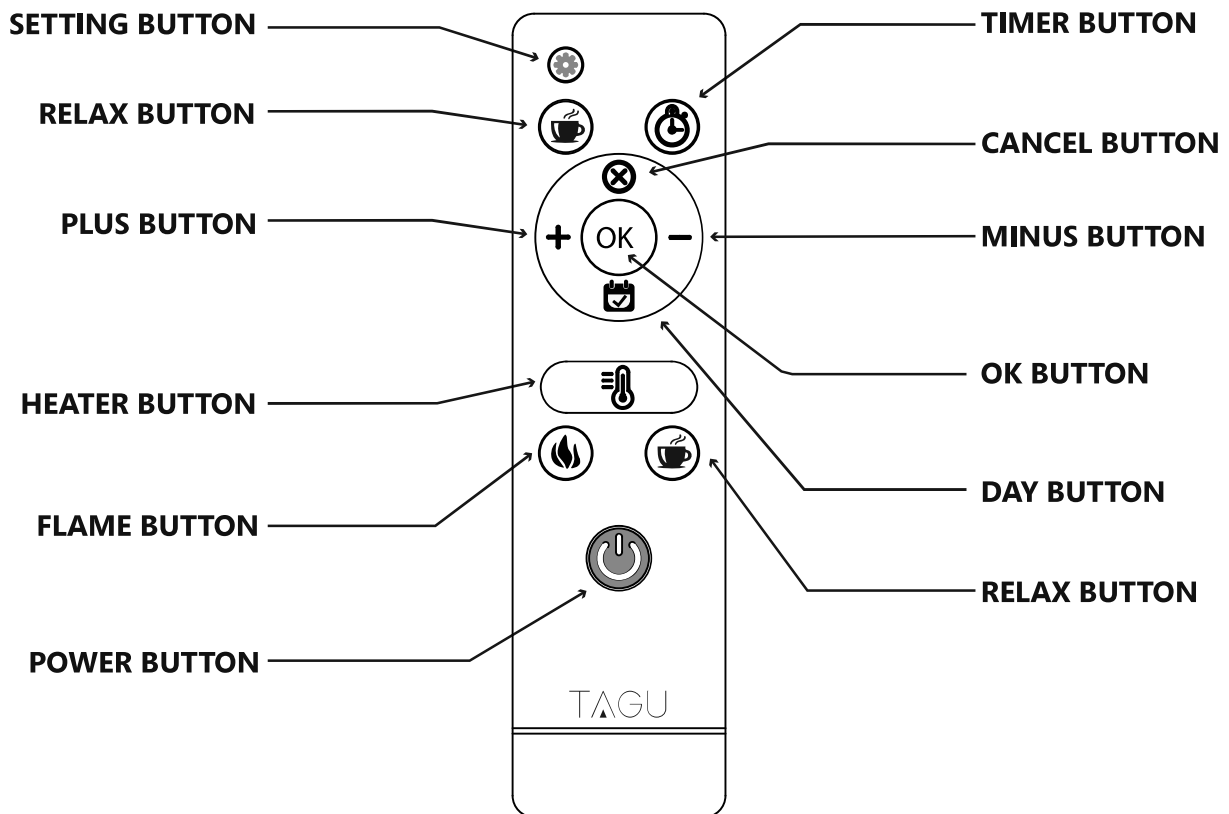
| | | |
|------------------------------|-----------|--|
| FLAME INDICATOR | | The indicator will light up when the flame effect is on |
| HEATER INDICATOR | | The indicator will light up when the heating is on |
| PRESET INDICATOR | | Shows which heating preset is selected (from 1-8) |
| STATUS INDICATOR | ON OFF | Shows the on/off status of each heating preset |
| TIMER INDICATOR | | The indicator will light up when the automatic heating is set |
| DAY INDICATOR | SU | Shows each day of the week |
| SELECTION INDICATOR | | Indicates which days have a heating preset activated |
| TIME INDICATOR | 88:88 | Shows the current time |
| SCALE INDICATOR | °F °C | Shows the scale of the temperature (Celsius or Fahrenheit) |
| TEMPERATURE INDICATOR | 88 | Shows the set temperature |
| AUTO INDICATOR | AUTO | The indicator will light up when the auto heating preset is selected |

CONTROL PANEL

EN



REMOTE CONTROL



OPERATION AND FEATURES

TIME AND DAY

After plugging in the unit for the first time, you need to set the current time and day. Using the remote control, press and hold the **SETTING BUTTON** for 3 seconds. Use the **PLUS BUTTON** to set the hour, the **MINUS BUTTON** to set the minutes and the **DAY BUTTON** to set the day of the week. When finished, wait for the display to stop flashing and the time and day will be set.

ON/OFF

Press the **POWER BUTTON** on the control panel or the remote control to turn the unit **ON** or **OFF**. When turned **OFF** the embers of the log set will not immediately go out. This is a designed feature to represent the embers of the fire slowly fading out.

FLAME BRIGHTNESS

Press the **FLAME BUTTON** on the control panel or the remote control to raise or lower the level of flame brightness from 1 to 4. Level 5 will make the flame automatically glow dimmer and brighter creating a realistic fire effect.

HEATING

Press the **HEATER BUTTON** on the control panel or the remote control to turn the heating **ON/OFF**. After the heater has been turned off the fan may still run to prevent over heating.

TEMPERATURE AND THERMOSTAT

The thermostat setting range is 17°C - 27°C or 62°F - 82°F or constantly **ON**. If the room has reached the selected temperature the heater will automatically shut down and turn back on if needed. While the heating is on you can adjust the temperature of the thermostat:

USING THE CONTROL PANEL: press and hold the **HEATER BUTTON** for 3 seconds and after that press the button again to change the temperature. After selecting the desired value, press the **FLAME BUTTON** to save the setting and return to normal operation.

USING THE REMOTE CONTROL: press the **PLUS BUTTON** to raise the temperature and the **MINUS BUTTON** to lower the temperature.

SLEEP TIMER

This allows you to set the fireplace to automatically shut **OFF** after the amount of time displayed on the screen. Press the **TIMER BUTTON** on the remote control to set and cycle through the timer setting from 1-9 hours and off. Select the desired amount of hours and the firebox will automatically shut **OFF** after that selected amount of time.

RELAX

Not everything in life has a clear purpose. Press the **RELAX BUTTON** on the remote control to... sit back and relax. You can press this button how many times you want and nothing bad will happen. It acts like a stress relief button :)

CELSIUS TO FAHRENHEIT

To change between °C and °F, while the heater is **ON**, press and hold the **FLAME BUTTON** on the control panel for 3 seconds.

OPEN WINDOW DETECTION

Should a window or door be accidentally left open for over 30 minutes, the heater will detect the sudden change in temperature and turn **OFF** automatically, displaying **OP** on the screen. To return to normal operation, press and hold the **HEATER BUTTON** for 3 seconds or turn the unit **OFF** and back **ON**.

INTRODUCTION

You can set the heater to turn on/off at specific temperature for specific times. You can set up to 7 different heating presets and individually assign to each one of them multiple days of the week. A heating preset defines the start time, end time, room temperature and working days.

EXAMPLE:

Preset 1 starts at 18:00 and stops at 22:00 , temperature of 22°C , Monday to Friday

Preset 2 starts at 10:00 and stops at 22:00, temperature of 22°C, Saturday and Sunday

SETTING THE PRESETS

There are 7 different presets which you can individually set. To begin setup for the first preset, during normal operation, press the **OK BUTTON** to activate the display and after that press the **SETTING BUTTON** :

SET THE START TIME: The **STATUS INDICATOR** should show **ON**. Press the **PLUS BUTTON** to set the hour and the **MINUS BUTTON** to set the minutes.

SELECT THE DAYS: Press the **DAY BUTTON** to navigate to a certain day and use the **PLUS BUTTON** to select it and the **MINUS BUTTON** to deselect it.

SET THE TEMPERATURE: Press the **HEATER BUTTON** to set the temperature. Press the **PLUS BUTTON** to raise the temperature and **MINUS BUTTON** to lower it.

SET THE END TIME: Press the **SETTING BUTTON** to navigate to end time. The **STATUS INDICATOR** should show **OFF**. Press the **PLUS BUTTON** to set the hour and the **MINUS BUTTON** to set the minutes.

NAVIGATE TO NEXT PRESET: Use the **SETTING BUTTON** to navigate through preset start time, preset end time and next preset.

ACTIVATING A PRESET

During normal operation, repeatedly press the **DAY BUTTON** on the remote to select the desired preset and press the **OK BUTTON** to activate it and heating schedule will be set.

AUTO MODE

8 is the **AUTO MODE**. By selecting the 8 mode, all your presets will activate at the same time, one after the other. This mode is useful if you need multiple presets to run during the same day.

NOTE: When using this mode, make sure the presets don't have overlapping hours.

DEACTIVATING A PRESET

Press the **CANCEL BUTTON** to deactivate a preset and turn off the automatic heating schedule.

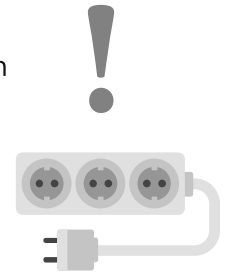
NOTE: When using the automatic heating schedule manual heating and sleep timer will be disabled and will not work anymore until all presets have been deactivated.

NOTE: The Automatic Heating Schedule (AHS) will work only if the clock has been set.

NOTE: If there is a power outage or you unplug the firebox the system resets and you will have to set AHS all over again.

NOTE: A 13 amp, 240 volt circuit is required. A dedicated circuit is preferred but not essential. A dedicated circuit will be required if the circuit breaker trips or fuse blows on a regular basis when the heater is operating. Additional appliances on the same circuit may exceed the current rating of the circuit breaker.

WARNING: Don't use the firebox with regular extension cords. If the cord is not long enough you may use only special extension cords rated for a minimum of 13 Amps.



CARE AND MAINTENANCE

Make sure the unit is turned OFF and unplugged before cleaning the heater or fireplace.

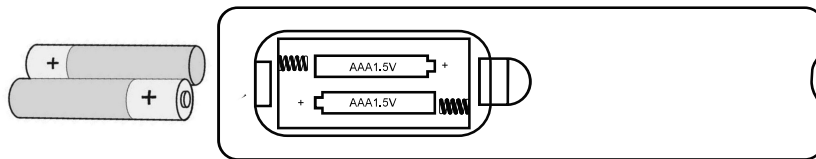
We recommend periodic vacuuming of the fan/heater.

Remove dust with clean dry cloth.

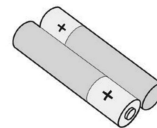
Remove fingerprints and other marks from glass screen by using a clean damp cloth. Do not use abrasive cleaners or spray liquids on the glass window surface.

REPLACING THE BATTERY

The remote control works with 2 x AAA 1.5 V standard batteries.



NOTE: Please always dispose of batteries at a suitable recycling point.



CAUTION:

Always purchase the right size and grade of battery most suitable for the intended use.

Replace all batteries of a set at the same time.

Clean the battery contacts and also those of the device prior to battery installation.

Ensure the batteries are installed correctly with regard to polarity (+ and -).

Remove batteries from equipment which is not to be used for an extended period of time.

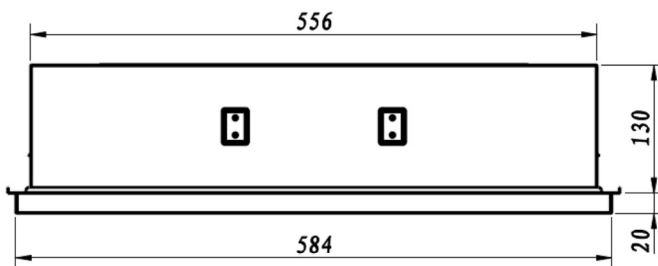
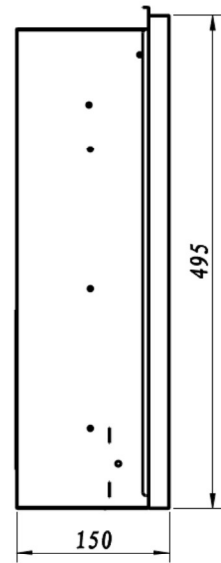
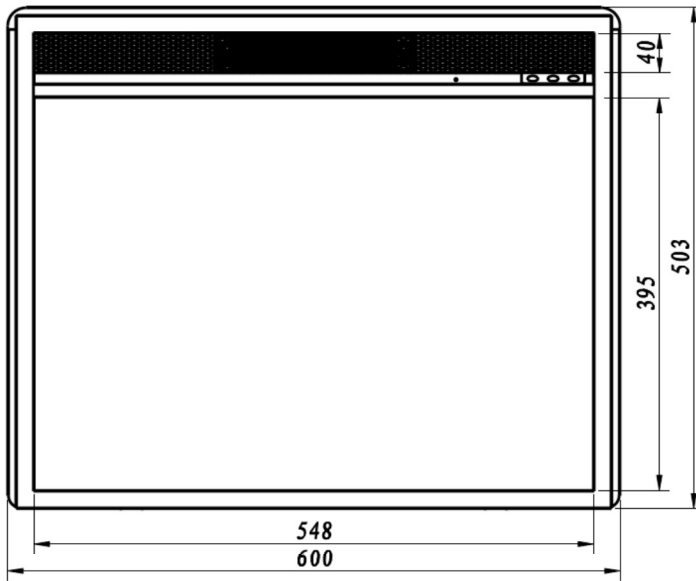
Remove used batteries promptly.

Do not mix old and new batteries.

Do not mix alkaline, standard (carbon zinc), or rechargeable (nicd, nimh, etc.) batteries.

Do not ingest batteries.

FIREBOX DIMENSIONS

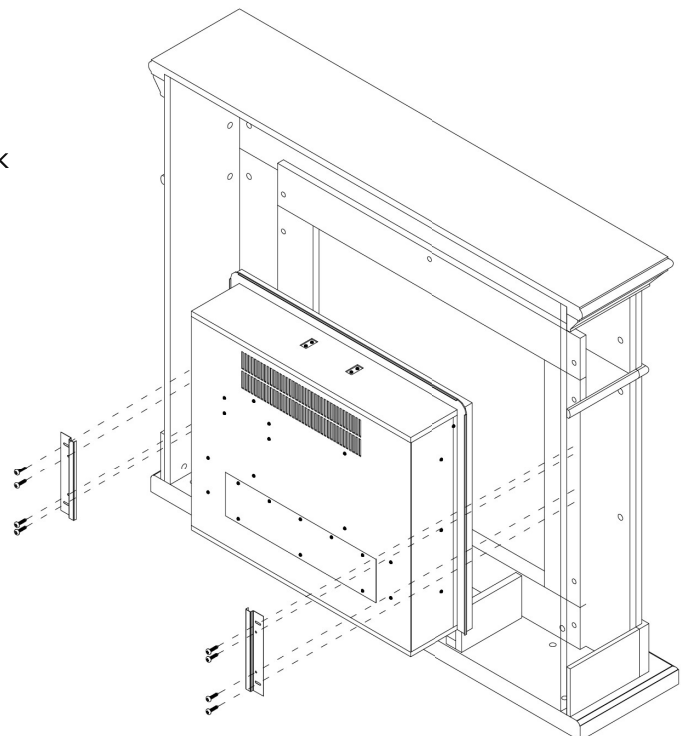


IN FURNITURE OR FIREPLACE MANTELS

NOTE: The exact furniture or mantel opening dimensions are: width 584 x height 495 (mm). When designing the opening, it is recommended to add a tolerance of + 3mm to the width and height.

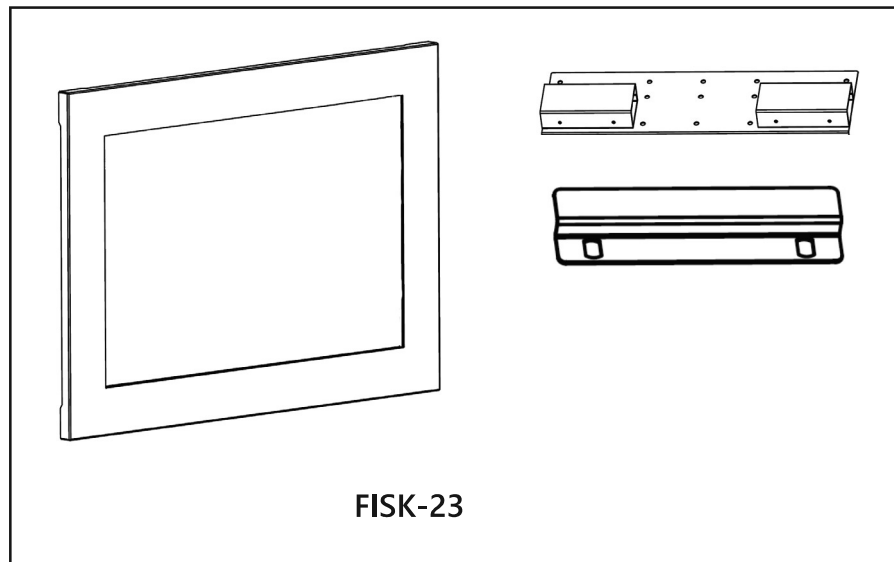
CAUTION: For proper ventilation, leave 30mm minimum air space clearance between the back of the firebox and any other materials.

1. Insert the firebox from the back
2. Mount the securing plates on both sides of the firebox
3. Fix the plates using the included screws



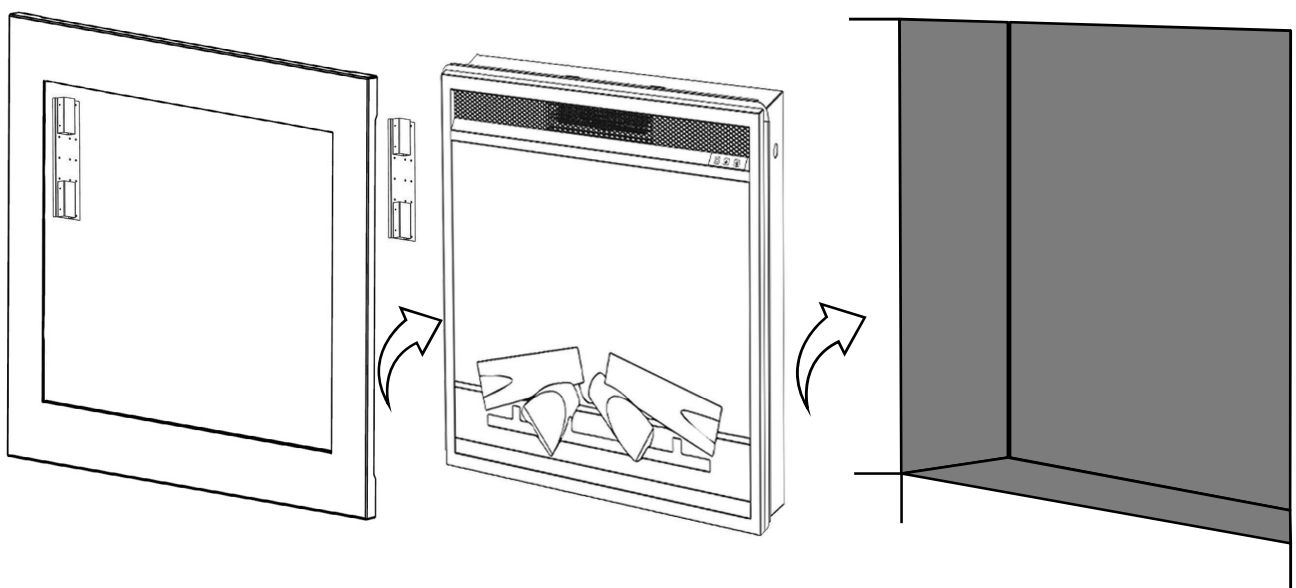
IN WALL OR BRICK FIREPLACES

NOTE: For all in-wall application you will need our FIREBOX INSTALLATION SPECIAL KIT (FISK-23) (not included). The special frame provides proper airflow to the air intake vent and allows for easy fixing in wall or other constructions and removal of the firebox if the product should need warranty repair.



A new outlet can be installed inside the framing construction. Plug the fireplace into a 13 Amp/240 Volt outlet. If the cord is not long enough you may use an extension cord rated for a minimum of 13 Amps.

For detailed instructions on how to mount the firebox in wall, see the FIREBOX INSTALLATION SPECIAL KIT instruction manual.



| Model identifier(s): 23PF1A, 23PF1B, 23PF1C, 23PF1D | | |
|--|--------------|-------------------------|
| Item | Symbol | Value Unit |
| Heat output | | |
| Nominal heat output | P_{nom} | 1,49 kW |
| Minimum heat output | P_{min} | 6.042×10^{-3} |
| Maximum continuous heat output | $P_{max, c}$ | 1,49 kW |
| Auxiliary electricity consumption | | |
| At nominal heat output | el_{max} | n/a kW |
| At minimum heat output | el_{min} | n/a kW |
| In standby mode | el_{sb} | $10,245 \times 10^{-3}$ |
| Electronic room temperature control plus week timer | | yes |
| Room temperature control, with open window detection | | yes |

Rated Voltage: 220-240V

Rated Frequency: 50 Hz

Rated Power: 1260-1500W

Protection against moisture: IP X0

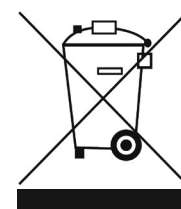
Protection Class: Class I

Supply cord: 1.8 meters, non detachable plug

DISPOSAL INFORMATION

For electrical products sold within the European Community. At the end of the electrical products useful life, it should not be disposed of with household waste.

Please recycle where facilities exist. Check with a Local Authority or retailer for recycling advice in your country.



FINAL INFORMATION



THIS PRODUCT COMPLIES WITH THE EUROPEAN SAFETY STANDARDS EN60335-2-30 AND THE EUROPEAN STANDARD ELECTROMAGNETIC COMPATIBILITY (EMC) EN 55014-1:2017, EN 55014-2:2015, EN 61000-3-2:2014 AND EN 61000-3-3:2013 THESE COVER THE ESSENTIAL REQUIREMENTS OF EEC DIRECTIVES 2014/30/EU

©TAGU LOLIUM SRL. ALL RIGHTS RESERVED. MATERIAL CONTAINED IN THIS PUBLICATION MAY NOT BE REPRODUCED IN WHOLE OR IN PART, WITHOUT PRIOR PERMISSION IN WRITING OF TAGU LOLIUM SRL.

TAGU
the missing piece

TAGU LOLIUM SRL
GHEORGHE PITUT 1, ORADEA, ROMANIA
WWW.TAGU.EU