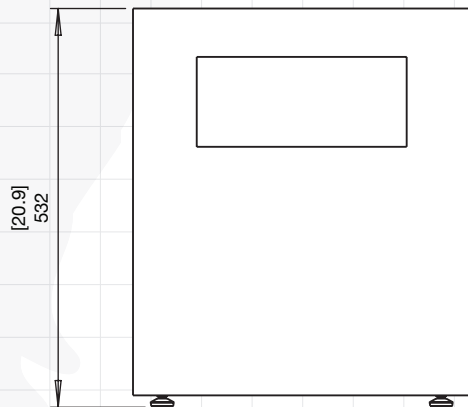
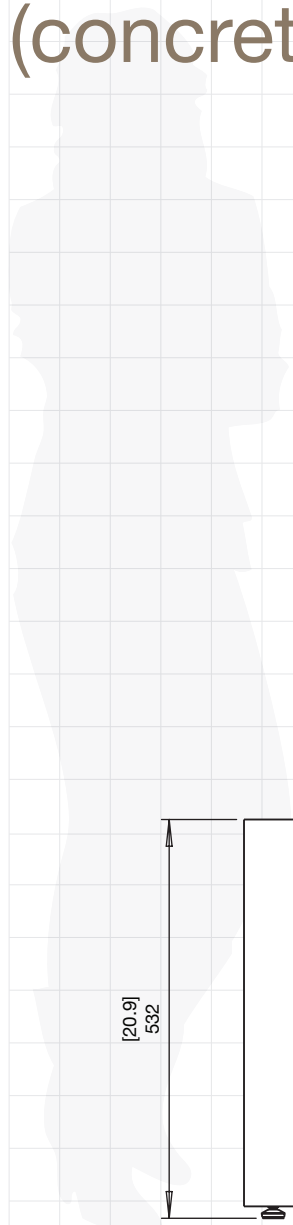
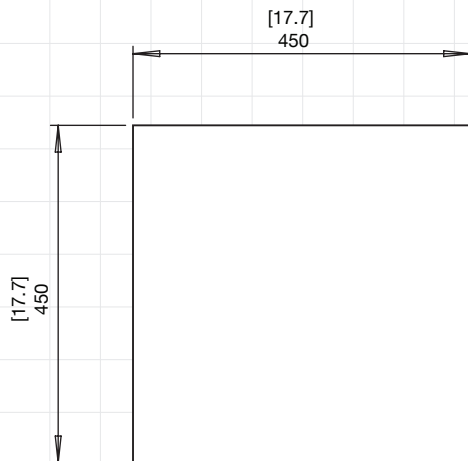


Tank (concrete)






FRONT VIEW



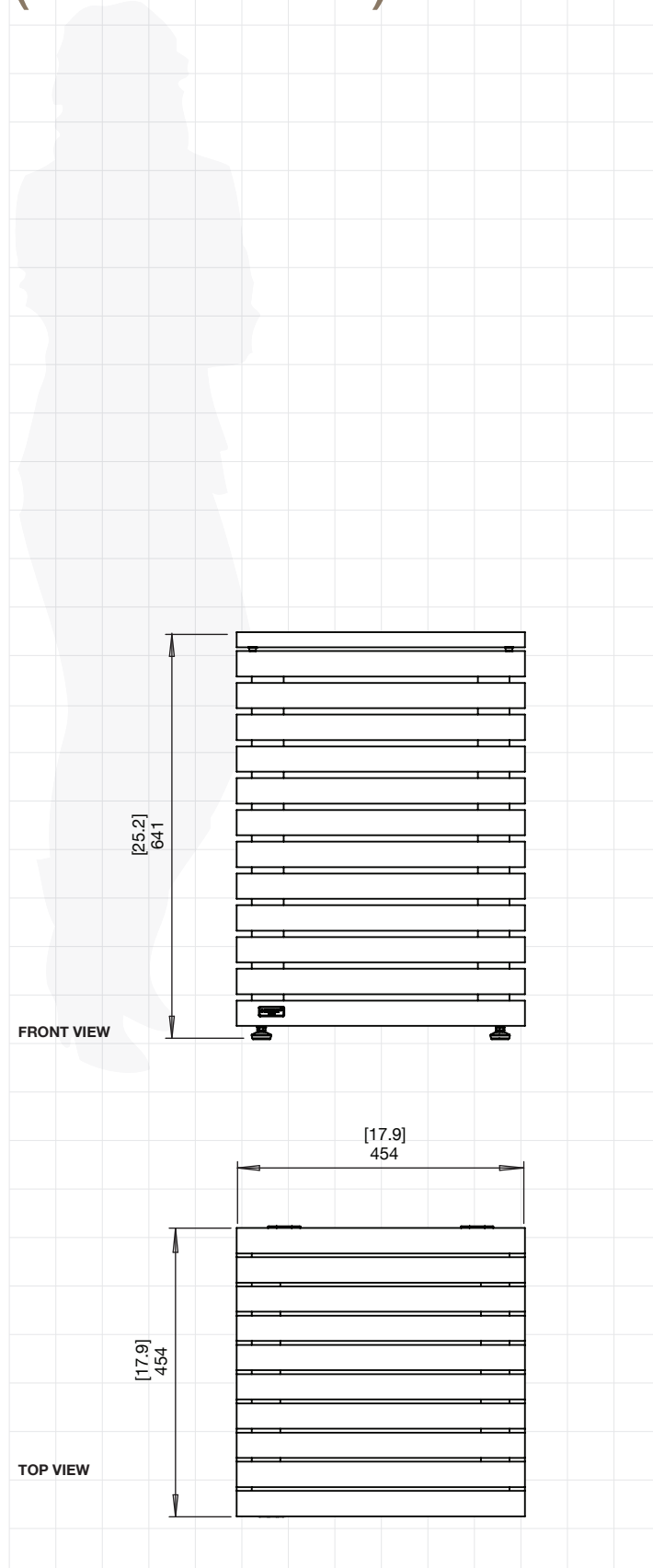
TOP VIEW



Application	Indoor & Outdoor	
Materials	Fluid Concrete Technology	
Weight	20kg [44lbs]	
Colours & SKU's	 Natural	ESF.2.A.TAN.NA
	 Bone	ESF.2.A.TAN.BO
	 Graphite	ESF.2.A.TAN.GH
Optional Accessories	Outdoor Covers	

Tank functions as a side table, or stool. Its finish makes for discreet integration into surrounding decor while its light-weight and built-in handles make for easy relocation.

Tank (teak wood)



Application	Outdoor and Indoor
Materials	Teak Wood
Weight (approx)	Teak 22kg [48.4lbs]
Teak SKU	 Natural (Oiled) ESF.5.A.TAN.TN
Optional Accessories	Outdoor Covers

Tank functions as a side table, or stool.

Our new industry-exclusive teak finish is made of the strongest and most durable hardwood available. Its natural oil repels water keeping it from warping, cracking, or becoming brittle.